

THE INFORMATION CONTAINED HEREIN IS CONSIDERED "PROPRIETARY" TO BEL FUSE INC. AND SHALL NOT BE COPIED, REPRODUCED OR DISCLOSED WITHOUT THE WRITTEN APPROVAL OF BEL FUSE INC.

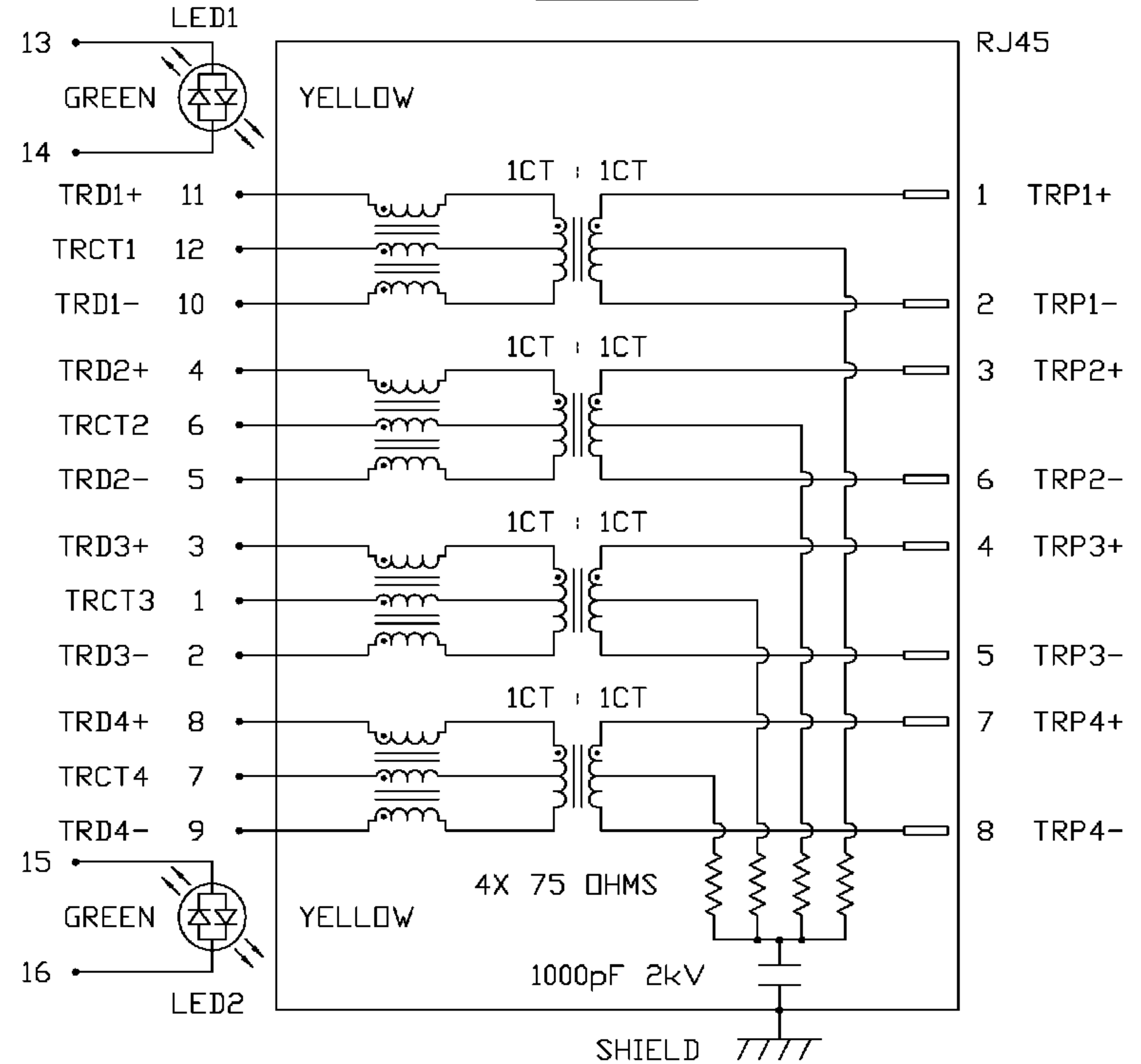
LED1 POLARITY			LED2 POLARITY		
PIN 13	PIN 14	COLOR	PIN 15	PIN 16	COLOR
-	+	GREEN	-	+	GREEN
+	-	YELLOW	+	-	YELLOW

PRELIMINARY

ELECTRICAL CHARACTERISTICS @ 25°C

URNS RATIO		
TP1	1CT : 1CT ±2%	
TP2	1CT : 1CT ±2%	
TP3	1CT : 1CT ±2%	
TP4	1CT : 1CT ±2%	
CL @ 100kHz/100mVRMS		
8mA DC BIAS	350μH MIN.	
INS. LOSS		
0.1MHz TO 1MHz	-1.1 dB MAX	
1MHz TO 65MHz	-0.5 dB MAX	
65MHz TO 100MHz	-0.8 dB MAX	
100MHz TO 125MHz	-1.2 dB MAX	
RET. LOSS (MIN)		
0.5MHz-40MHz	-18 dB	
40MHz-100MHz	-12+20LOG(f/80MHz) dB	
CROSS TALK		
100kHz - 100MHz	-33+20LOG(f/100MHz)dB MIN	
CM TO CM REJ		
100kHz - 100MHz	-30 dB MIN	
CM TO DM REJ		
100kHz - 100MHz	-35 dB MIN	
HIPOT (Isolation Voltage):	1500 Vrms or 2250 VDC	
LED1 AND LED2		
VF (FORWARD VOLTAGE)	IF=20mA GREEN 2.2V TYP. YELLOW 2.1V TYP.	
λD (DOMINANT WAVELENGTH)	IF=20mA GREEN 565nm TYP. YELLOW 590nm TYP.	
USB ELECTRICAL:		
INSULATION RESISTANCE:	1000 MEGA Ω(MIN)	
CONTACT RESISTANCE:	25 MILLI Ω(MAX)	
DIELECTRIC WITHSTANDING:	750 VAC	

SCHEMATIC



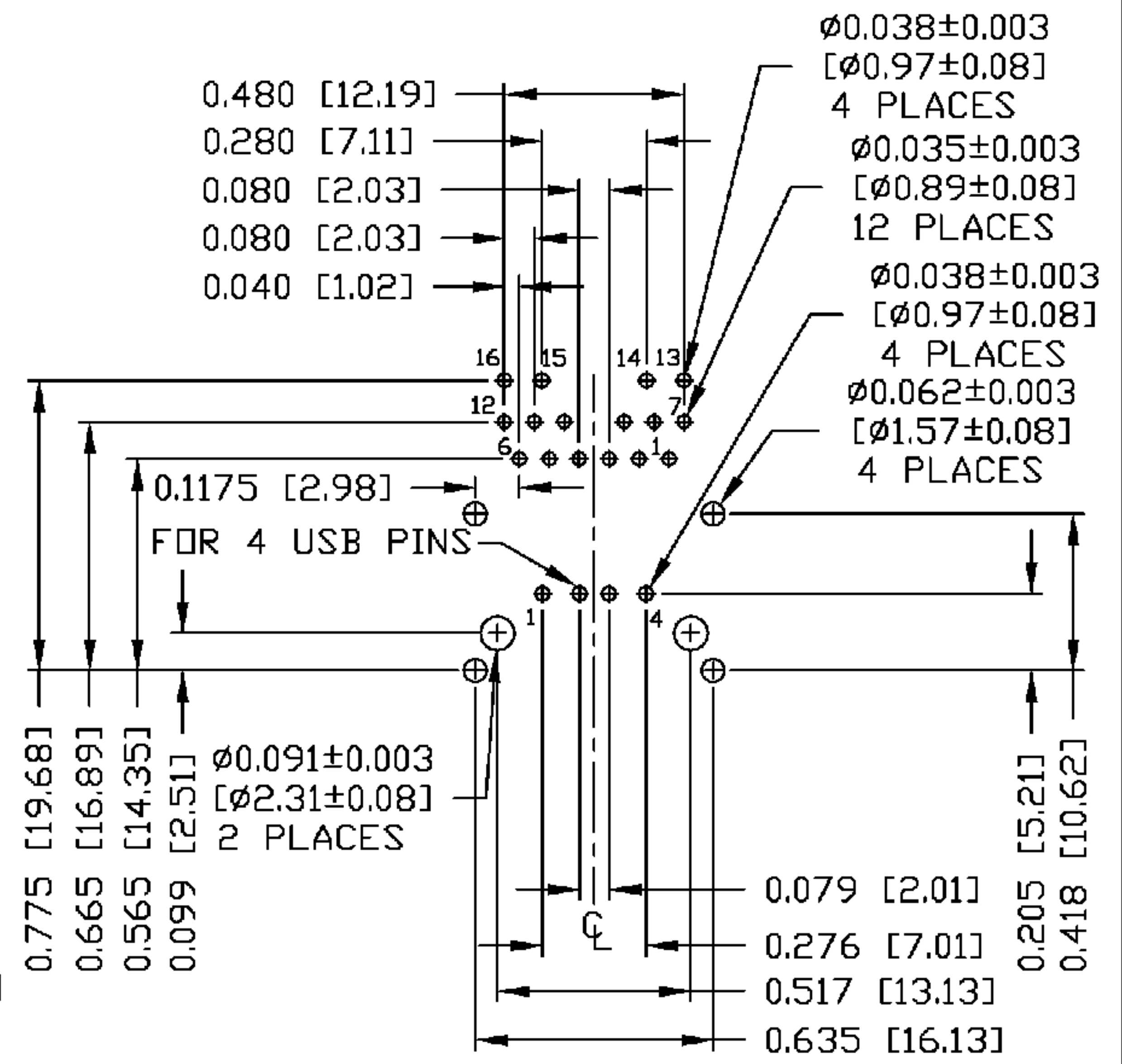
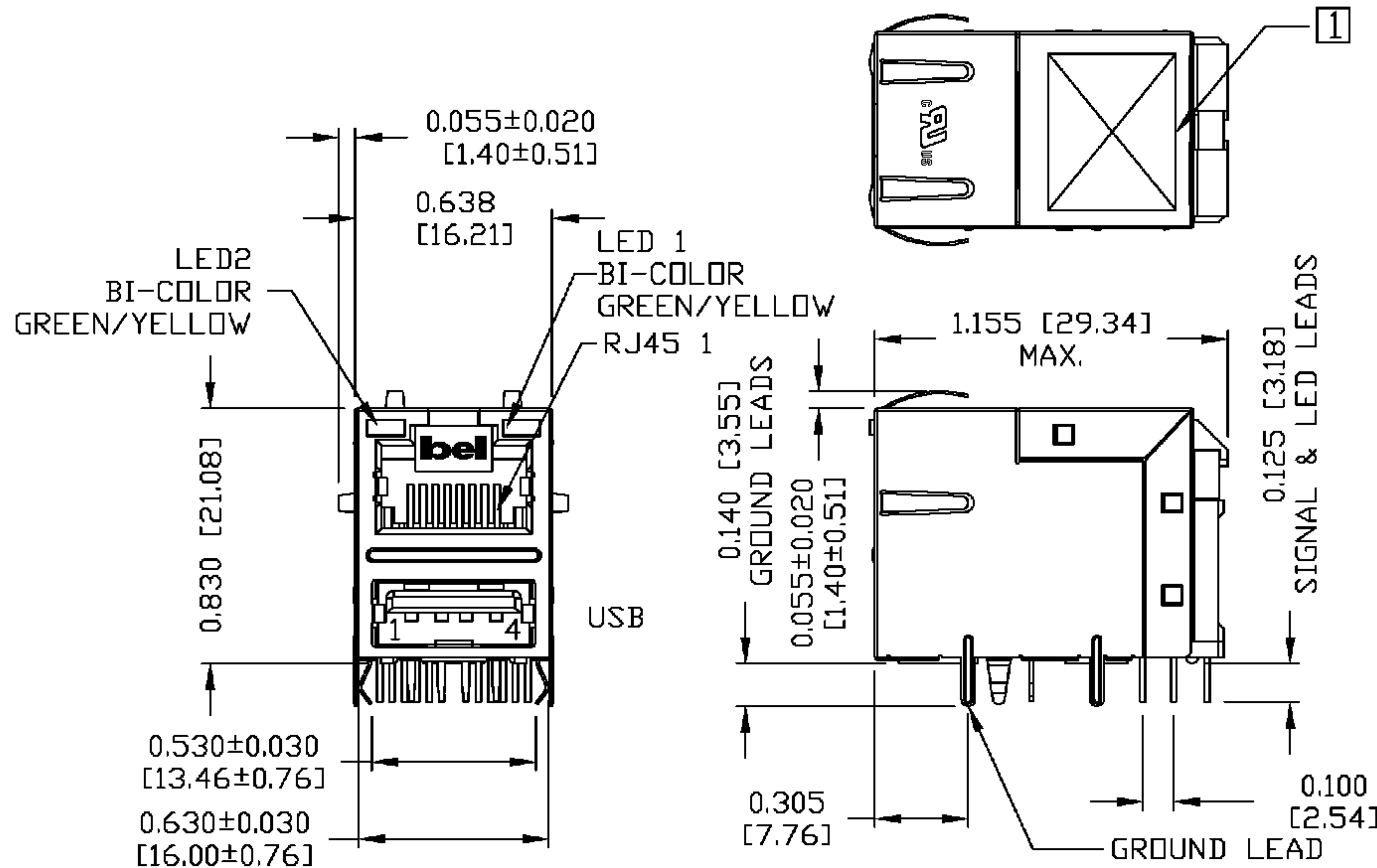
ORIGINATED BY CHUNG	DATE 02-16-06	TITLE gigabit Combo MagJack® SINGLE USB WITH LED	PART NO. / DRAWING NO. 0821-1C1T-43	STANDARD DIM. TOL. IN INCH .X .XX .XXX	[] METRIC DIM. AS REFERENCE UNIT : INCH [mm] SCALE : N/A	REV. : PC SIZE : A4 PAGE : 2	bel COMPONENTS FOR A CONNECTED PLANET
-------------------------------	-------------------------	---	---	--	--	---	---

THE INFORMATION CONTAINED HEREIN IS CONSIDERED "PROPRIETARY" TO BEL FUSE INC. AND SHALL NOT BE COPIED, REPRODUCED OR DISCLOSED WITHOUT THE WRITTEN APPROVAL OF BEL FUSE INC.

MECHANICAL SPECIFICATION

PRELIMINARY

RECOMMENDED PCB FOOTPRINT
COMPONENT SIDE VIEW



USB MECHANICAL:

MATING FORCE: 35 NEWTONS MAXIMUM
UNMATING FORCE: 10 NEWTONS MINIMUM
CONTACT: PROSPHER BRONZE
30 MICRO-INCH MIN GOLD PLATING ON CONTACT AREA AND TIN/LEAD ON SOLDER TAIL.

RJ45 MECHANICAL:

PLASTIC HOUSING: THERMOPLASTIC PBT
FLAMMABILITY RATING UL 94V-0
CONTACT PLATING: 30 MICRO-INCH HARD GOLD PLATING
PINS: TIN-COATED COPPER WIRE, DIA 0.018 INCH.
METAL SHIELD: NICKEL PLATED ON COPPER ALLOY.
(ALL GROUND LEADS ARE SOLDER DIPPED)

1. MARK PART WITH MFG. LOGO, MFG. NAME, PART NUMBER, AND DATE CODE.

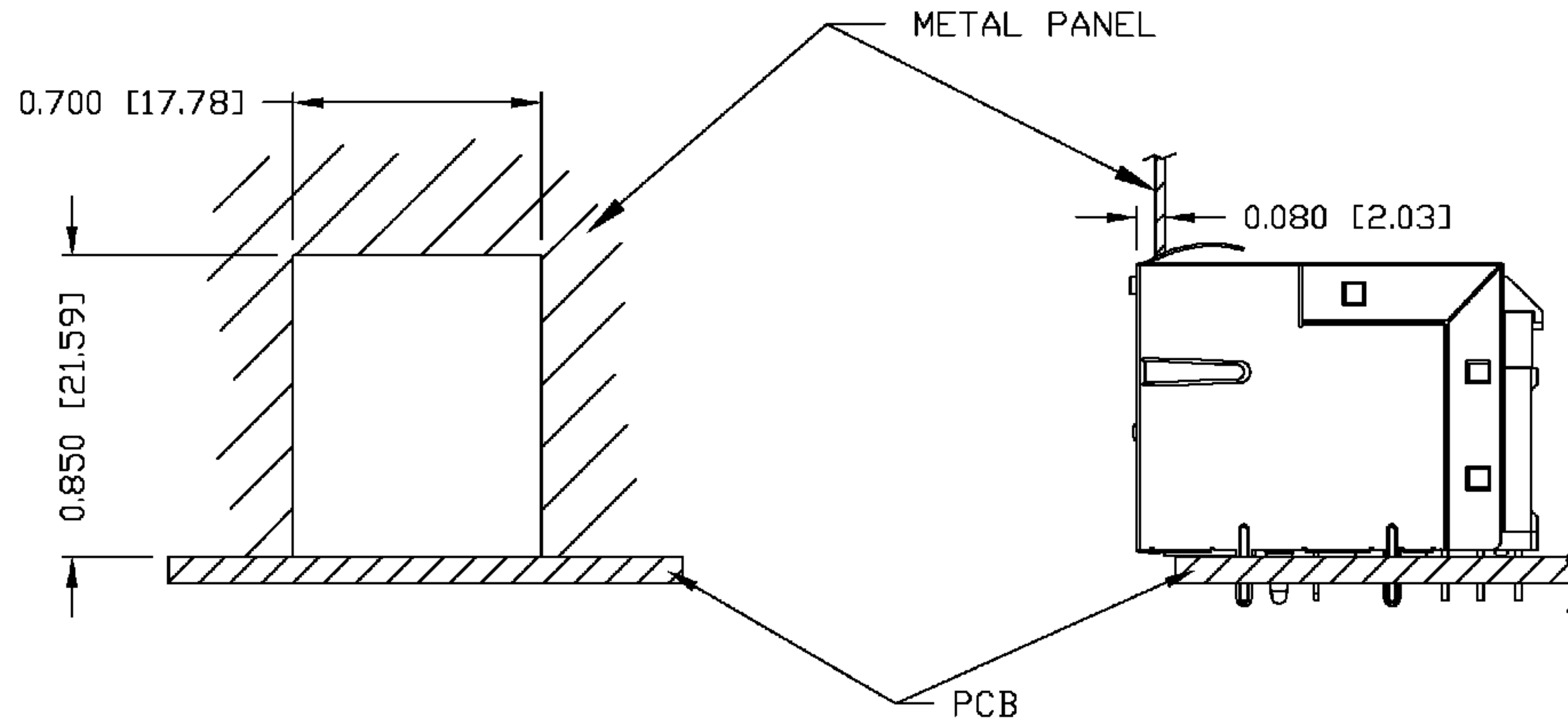
UL RECOGNIZED - FILE #E196366 AND E169987.

ORIGINATED BY ANTON	DATE 02-16-06	TITLE gigabit Combo MagJack® SINGLE USB WITH LED	PART NO. / DRAWING NO. 0821-1C1T-43	STANDARD DIM. TOL. IN INCH	[] METRIC DIM. AS REFERENCE	 COMPONENTS FOR A CONNECTED PLANET
DRAWN BY TING	DATE 02-16-06	FILE NAME 08211C1T43PC.DWG	.X	UNIT : INCH [mm]	REV. : PC	
			.XX	SCALE : N/A	SIZE : A4	
			.XXX ±0.010		PAGE : 3	

THE INFORMATION CONTAINED HEREIN IS CONSIDERED "PROPRIETARY" TO BEL FUSE INC. AND SHALL NOT BE COPIED, REPRODUCED OR DISCLOSED WITHOUT THE WRITTEN APPROVAL OF BEL FUSE INC.

PRELIMINARY

SUGGESTED PANEL OPENING



NOTES:

THE DISTANCE OF PANEL INSIDE SURFACE RELATIVE TO FRONT SURFACE OF PART IS ONLY A SUGGESTION. IN CASE THIS DISTANCE IS DIFFERENT, THE REQUIRED PANEL OPENING DIMENSIONS CHANGE ACCORDINGLY.

PACKING INFORMATION



PACKING TRAY : 0200-0148-48 (TOP)

0200-0148-49 (BOTTOM)

PACKING QUANTITY : 60 PCS FINISHED GOODS PER TRAY

8 TRAYS (480 PCS FINISHED GOODS) PER CARTON BOX

NOTE : CARDBOARDS ARE PLACED BETWEEN LAYERS OF PACKING TRAY INSIDE CARTON BOX (INCLUDE THE UPPERMOST AND LOWERMOST TRAY)

ORIGINATED BY ANTON	DATE 02-16-06	TITLE gigabit Combo MagJack® SINGLE USB WITH LED	PART NO. / DRAWING NO. 0821-1C1T-43	STANDARD DIM. TOL. IN INCH	[] METRIC DIM. AS REFERENCE		 COMPONENTS FOR A CONNECTED PLANET
	DRAWN BY TING		DATE 02-16-06	FILE NAME 08211C1T43PC.DWG	.X	UNIT : INCH [mm]	
				.XX	SCALE : N/A	SIZE : A4	
				.XXX ±0.004		PAGE : 4	