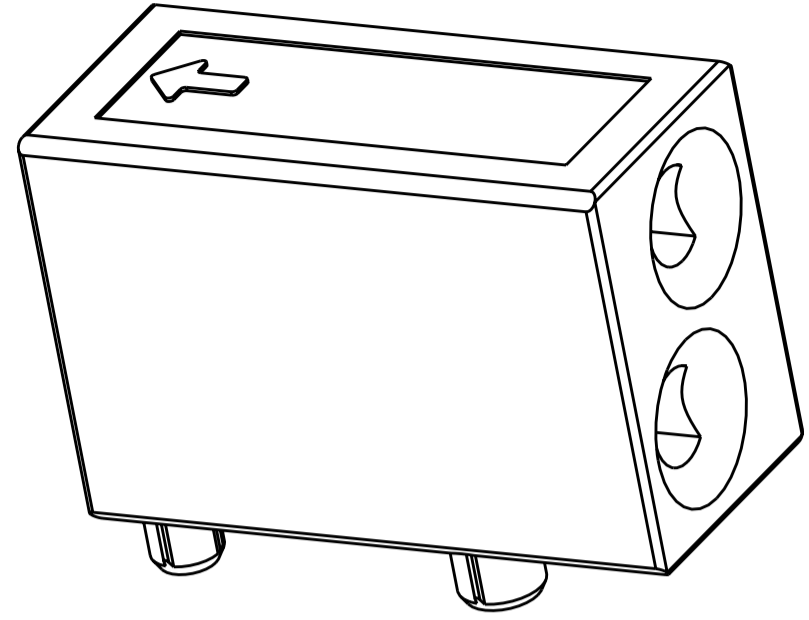
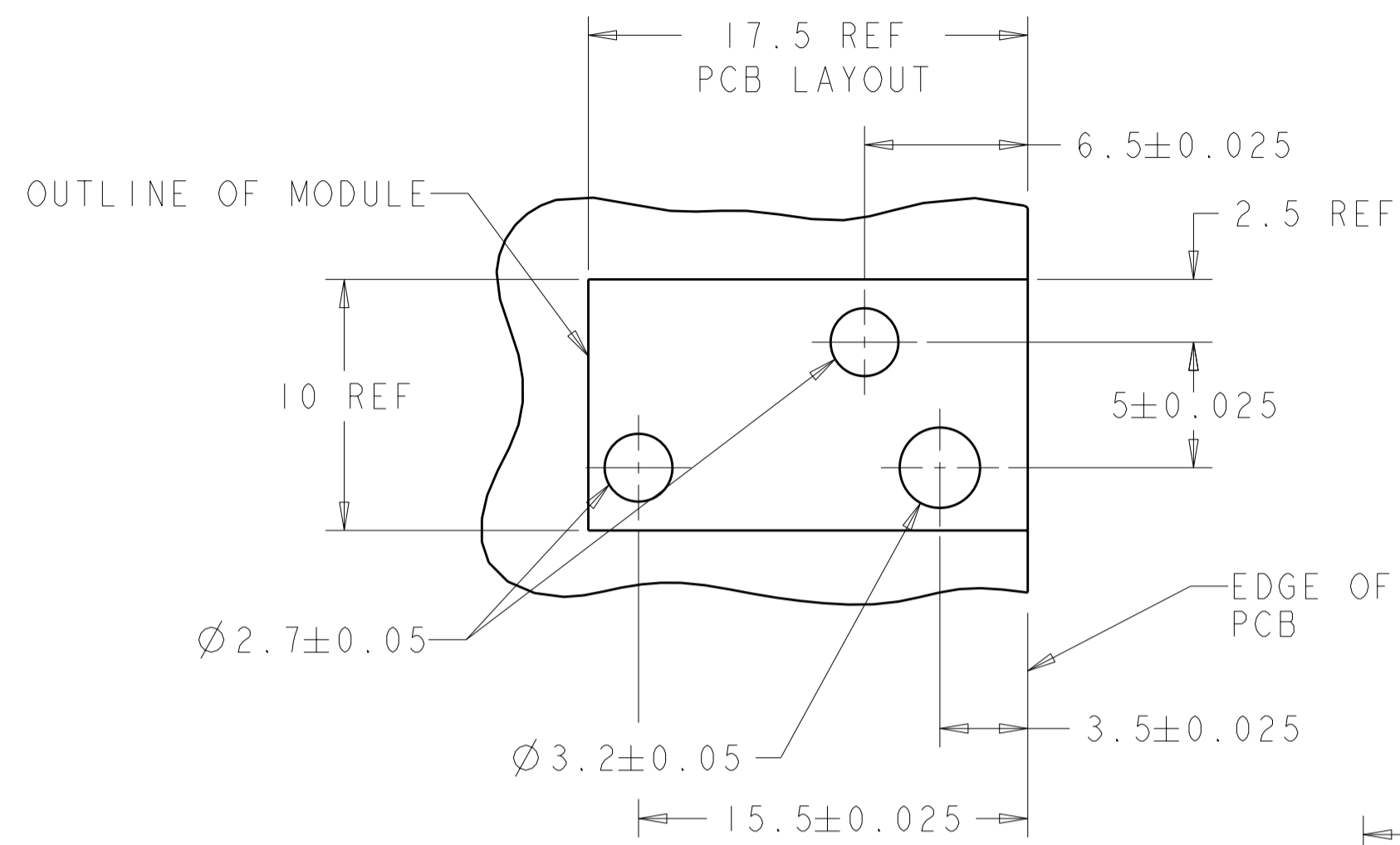
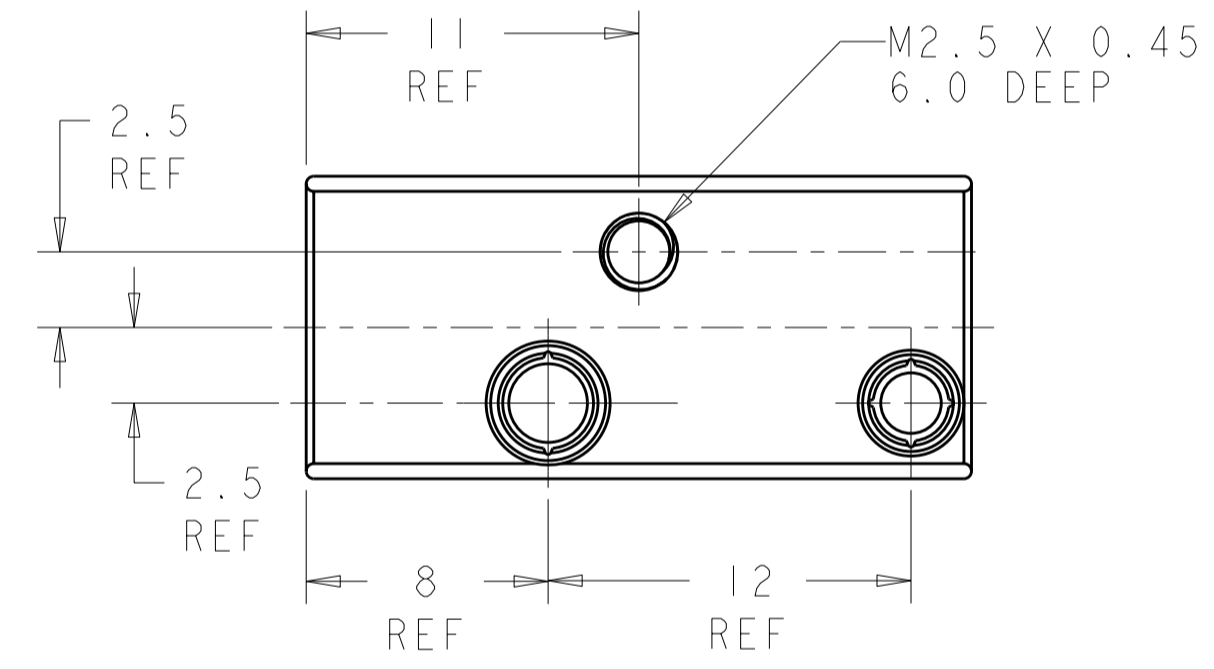
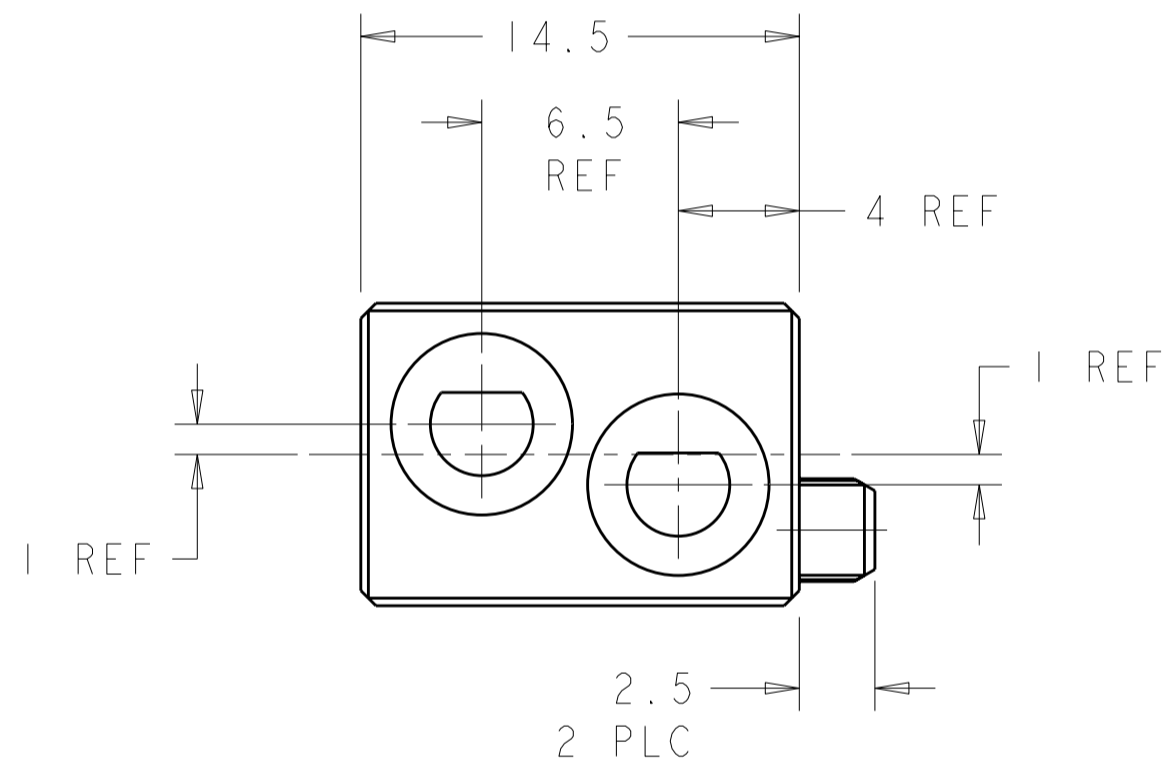
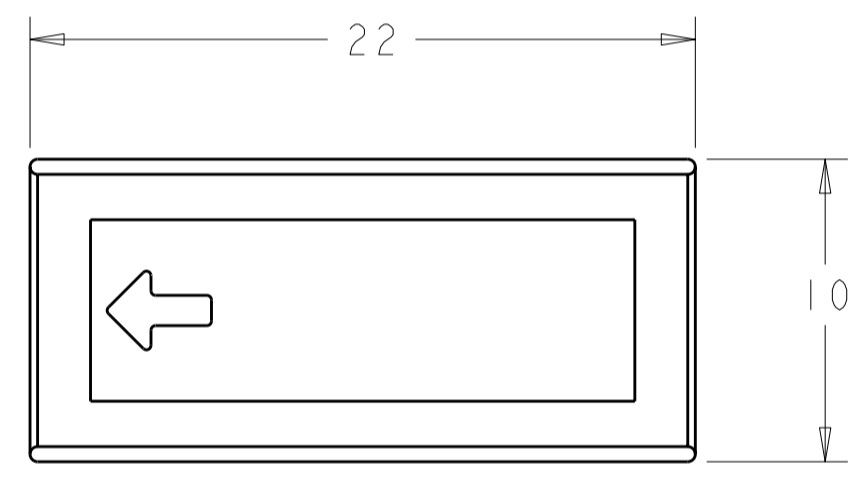


THIS DRAWING IS UNPUBLISHED. RELEASED FOR PUBLICATION 20
 © COPYRIGHT 20 BY TYCO ELECTRONICS CORPORATION. ALL RIGHTS RESERVED.

LOC	DIST	REVISIONS			
P	LTR	DESCRIPTION	DATE	DWN	APVD
	O	RELEASED	14FEB2006	BC	RP
	A	REV PER ECO-08-000400	11JAN2008	BC	RP



1. RECOMMENDED MOUNTING HARDWARE- M2.5 X 0.45 SCREW, 7.0MM LONG UP TO 2.9 MM THICK PCB, 8.0MM LONG FOR 3.0 TO 4.0 MM THICK PCB, 10.0MM FOR 4.1 TO 6.0MM THICK PCB, 12.0MM FOR 6.1 TO 8.0MM THICK PCB. (HARDWARE NOT SUPPLIED WITH PART NUMBER)

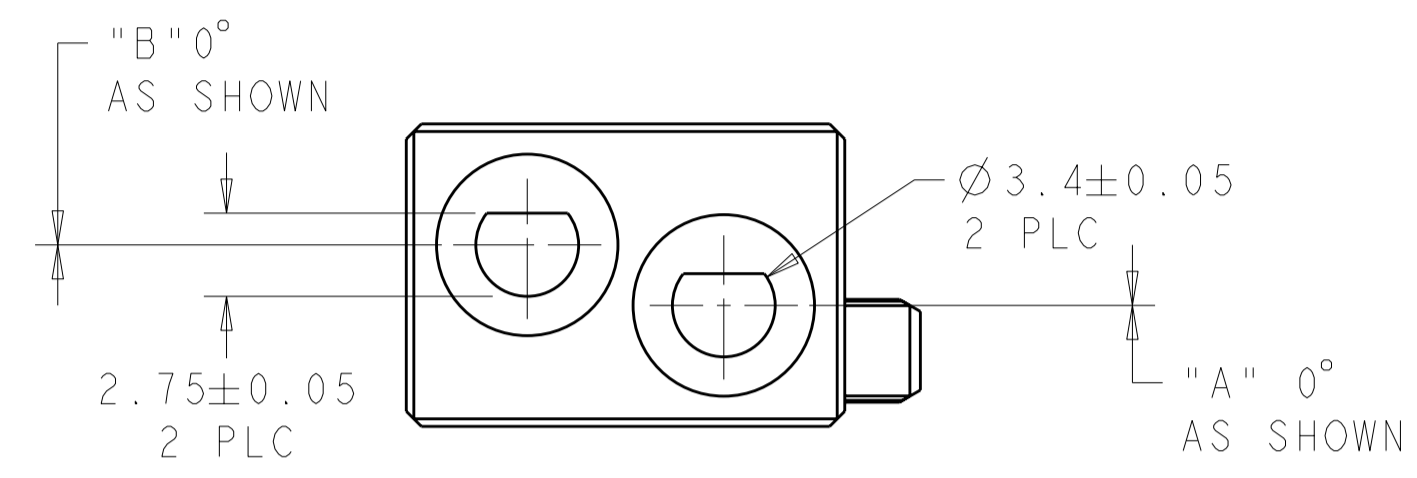


N/A	N/A	UNKEYED	9-1469958-9
225°	315°	6 8	6-1469958-8
180°	180°	5 5	5-1469958-5
135°	45°	4 2	4-1469958-2
90°	270°	3 7	3-1469958-7
0°	0°	1 1	1-1469958-1
"A"	"B"	KEYING POS	PART NUMBER

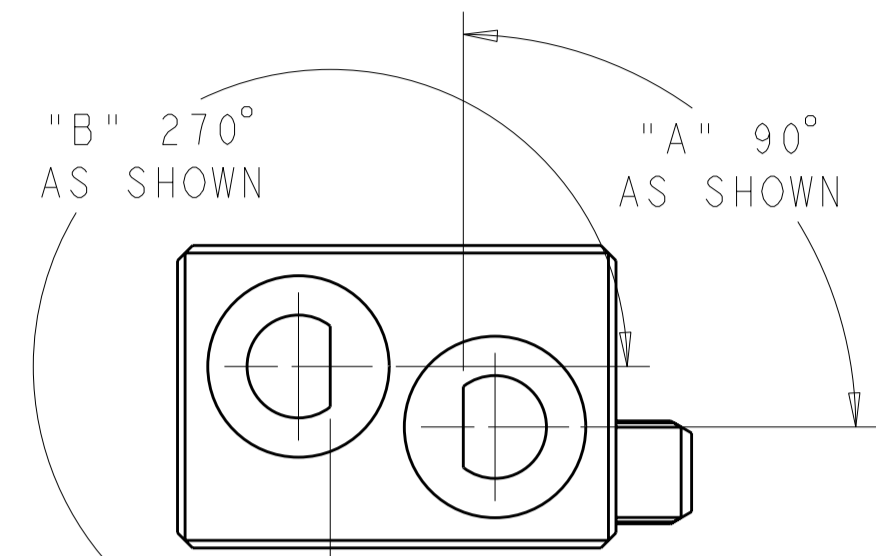
THIS DRAWING IS A CONTROLLED DOCUMENT FOR TYCO ELECTRONICS CORPORATION. IT IS SUBJECT TO CHANGE AND THE CONTROLLING ENGINEERING ORGANIZATION SHOULD BE CONTACTED FOR THE LATEST REVISION.		DWN B. CARBO 14FEB2006 CHK R. PATERSON 14FEB2006 APVD R. PATERSON 14FEB2006	Tyco Electronics Harrisburg, PA 17105-3608
DIMENSIONS: mm	TOLERANCES UNLESS OTHERWISE SPECIFIED: 0 PLC ±0.2 1 PLC ±0.5 2 PLC ±0.13 3 PLC ±0.013 4 PLC ±0.0001 ANGLES ±0.5 FINISH	PRODUCT SPEC APPLICATION SPEC WEIGHT	NAME ATCA GUIDE MODULE (FRONT BOARD - K1/K2)
MATERIAL ZAMAK 3	NICKEL	SIZE A2	CAGE CODE 00779
CUSTOMER DRAWING		DRAWING NO 1469958	RESTRICTED TO -
SCALE 2:1		SHEET 1 OF 2	REV A

THIS DRAWING IS UNPUBLISHED. RELEASED FOR PUBLICATION 20
 © COPYRIGHT 20 BY TYCO ELECTRONICS CORPORATION. ALL RIGHTS RESERVED.

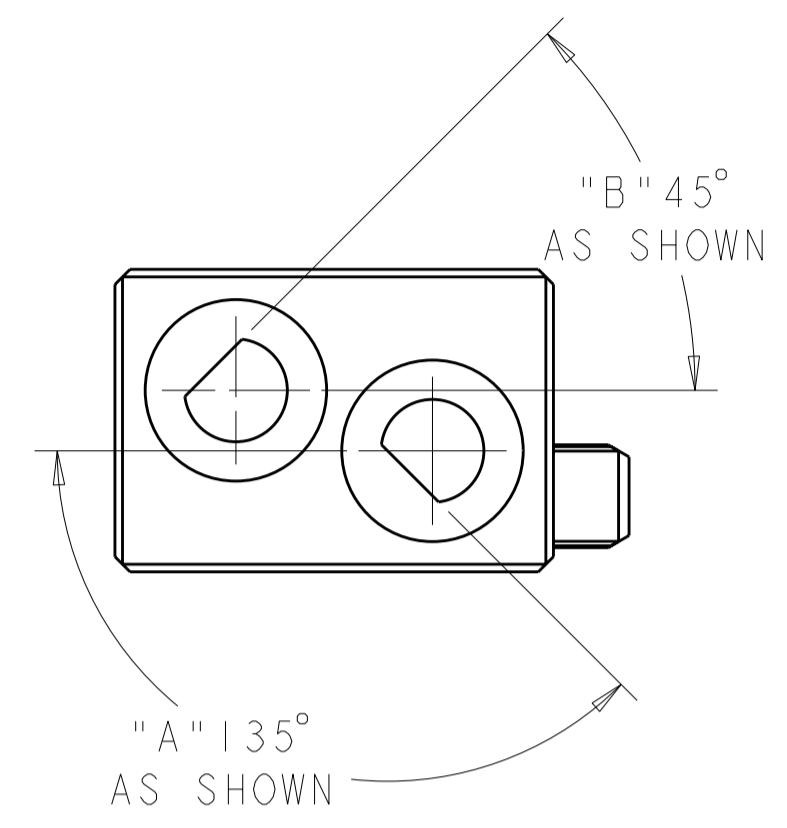
LOC	DIST	REVISIONS			
P	LTR	DESCRIPTION	DATE	DWN	APVD
AD	00	-	SEE SHEET 1	-	-



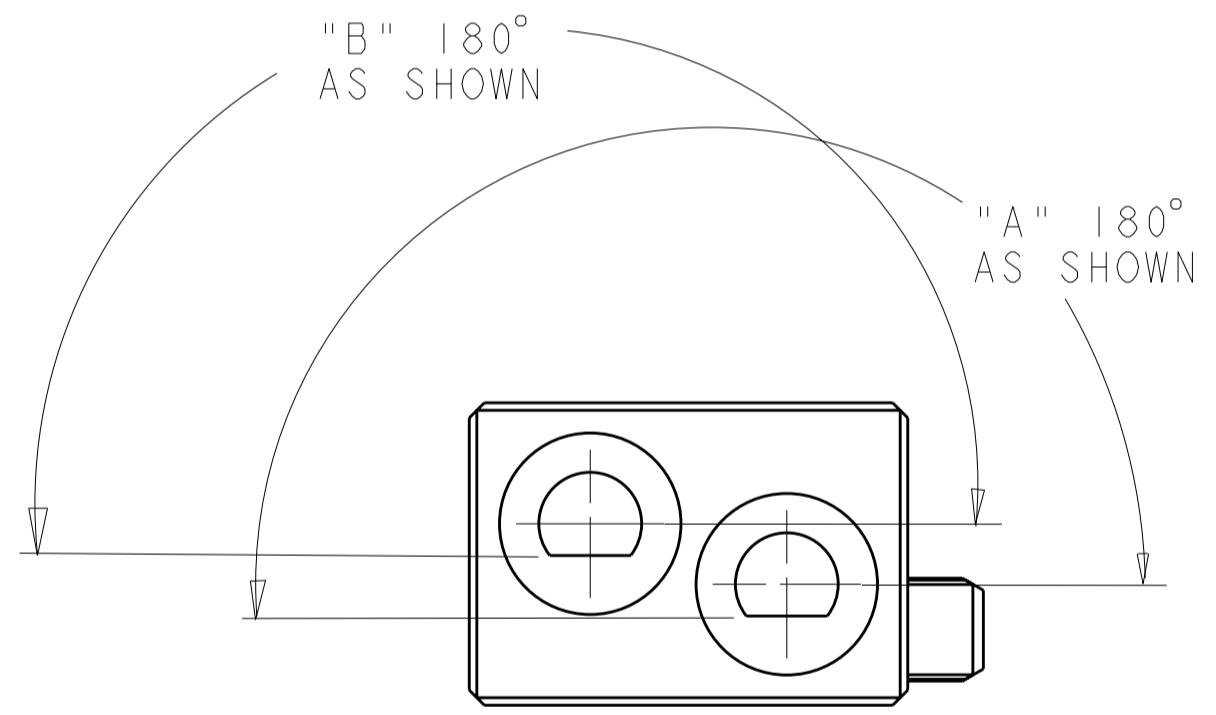
1-1469958-1



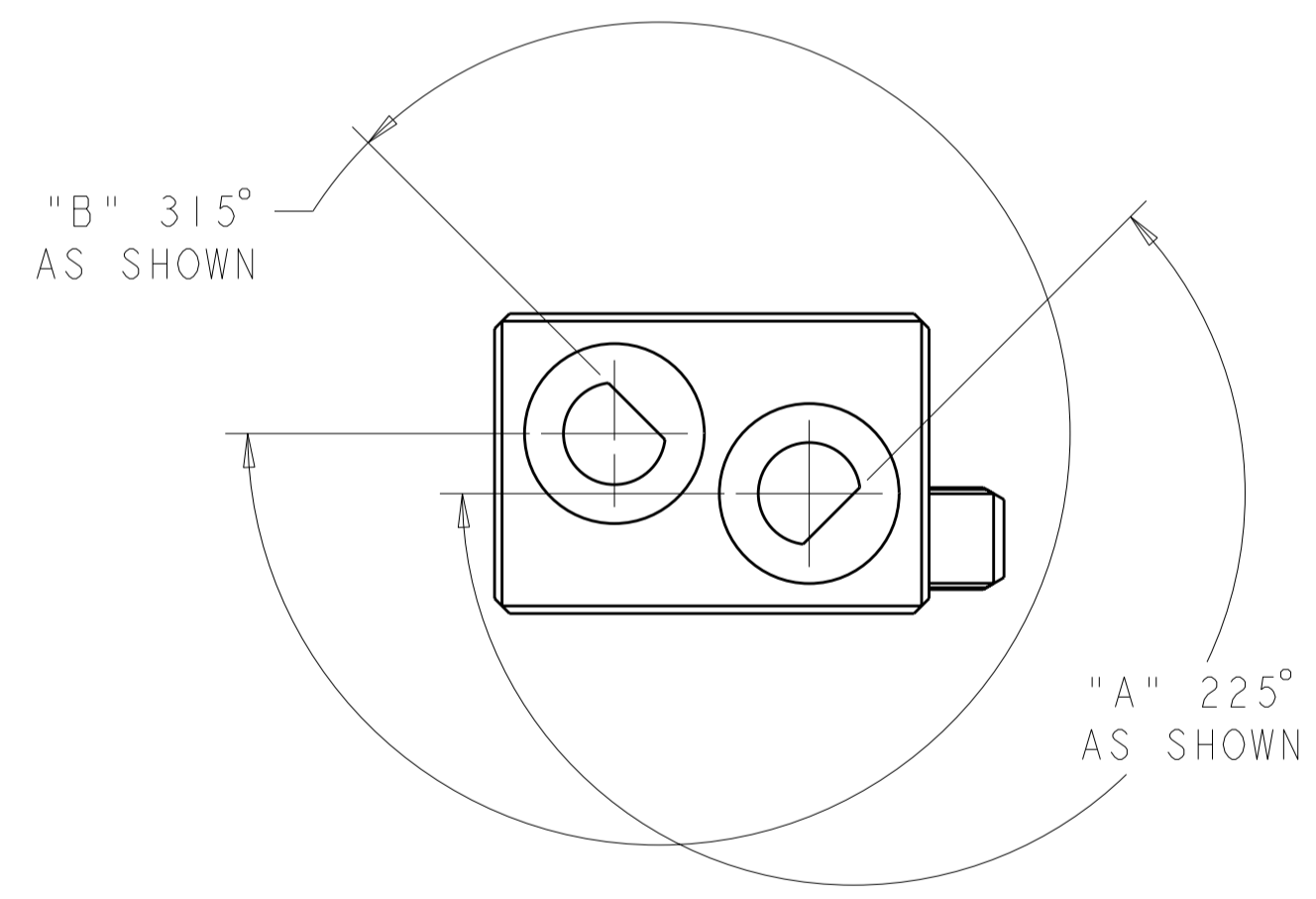
3-1469958-7



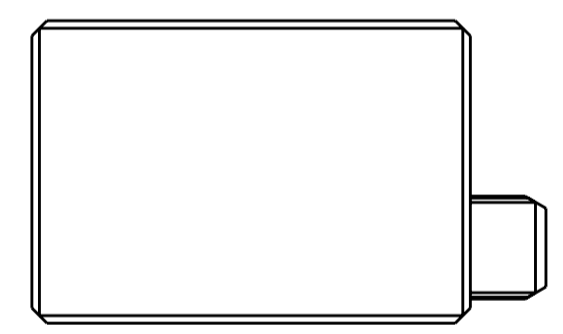
4-1469958-2



5-1469958-5



6-1469958-8



9-1469958-9

<small>THIS DRAWING IS A CONTROLLED DOCUMENT FOR TYCO ELECTRONICS CORPORATION. IT IS SUBJECT TO CHANGE AND THE CONTROLLING ENGINEERING ORGANIZATION SHOULD BE CONTACTED FOR THE LATEST REVISION.</small>		DWN B. CARBO 14FEB2006 CHK R. PATTERSON 14FEB2006 APVD R. PATTERSON 14FEB2006	Tyco Electronics Harrisburg, PA 17105-3608
DIMENSIONS: mm	TOLERANCES UNLESS OTHERWISE SPECIFIED: 0 PLC ±0.2 1 PLC ±0.5 2 PLC ±0.13 3 PLC ±0.013 4 PLC ±0.0001 ANGLES ±0.5 FINISH	PRODUCT SPEC APPLICATION SPEC WEIGHT	NAME ATCA GUIDE MODULE (FRONT BOARD - K1/K2)
MATERIAL ZAMAK 3	FINISH NICKEL	CUSTOMER DRAWING	SIZE A2 CAGE CODE 00779 DRAWING NO. C-1469958 RESTRICTED TO -
AMP 1471-9 REV 31MAR2000		SCALE 2:1	SHEET 2 OF 2 REV A