

3,97^{+0,23}_{-0,57}

8,65±0,3

(5:1)

15,08±0,3

12,24±0,3

9,4±0,3

3,2±0,2

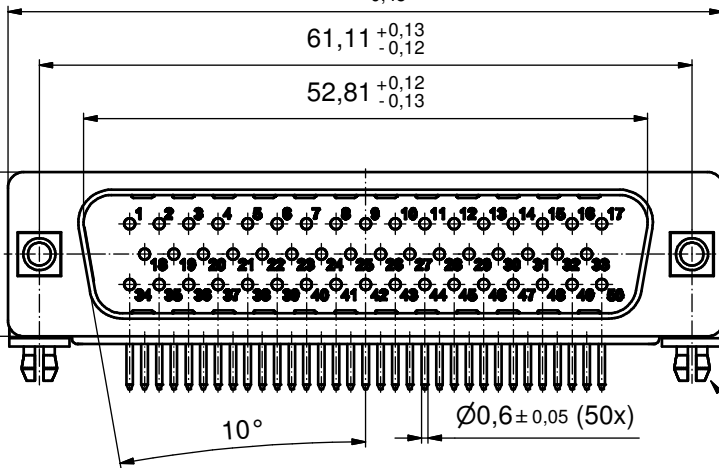
0,9

67^{+0,31}_{-0,45}

61,11^{+0,13}_{-0,12}

52,81^{+0,12}_{-0,13}

15,38^{+0,37}_{-0,39}



PCB SNAP

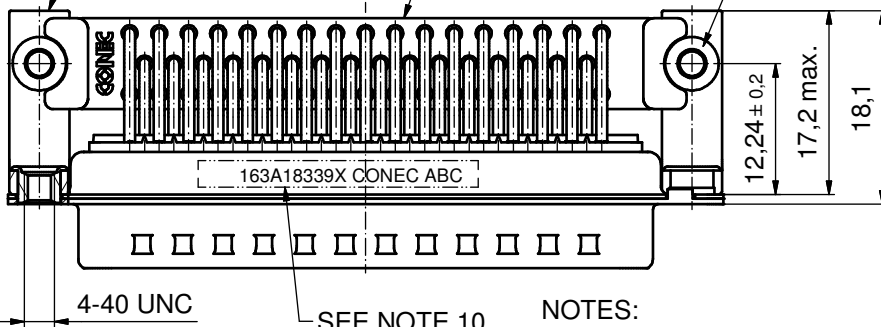
11,07^{+0,13}_{-0,12}

6⁺⁰_{-0,31}

METAL BRACKET

FIXING PLATE

PRESS FOR FIXING ON PCB



4-40 UNC

SEE NOTE 10

NOTES:

1. METALSHELLS: STEEL; min. 315µm TIN over 40-80µm NICKEL
2. INSULATORS: PBT GF UL 94 V-0, BLACK
3. CONTACTS: COPPER ALLOY
PLATING: GOLD FLASH over NICKEL
4. METAL BRACKETS: ZINC DIE CAST; 300µm COPPER/40-120µm NICKEL/120-200µm TIN
5. THREADED INSERTS: COPPER ALLOY; min. 200µm TIN over 80µm NICKEL
6. P.C.B. SNAPS: COPPER ALLOY; min. 200µm TIN over 80µm NICKEL
PCB-HOLE: $\varnothing 3.1 \pm 0.1$; PCB THICKNESS 1.6mm
7. FIXING-PLATE: PBT GF UL 94 V-0; BLACK
8. PCB HOLE DRILLINGS ON SHEET 2
9. MAXIMUM TORQUE VALUE FOR THREAD: 6 in.LB
10. CONNECTOR IS PART MARKED: [163A18339X CONEC ABC]

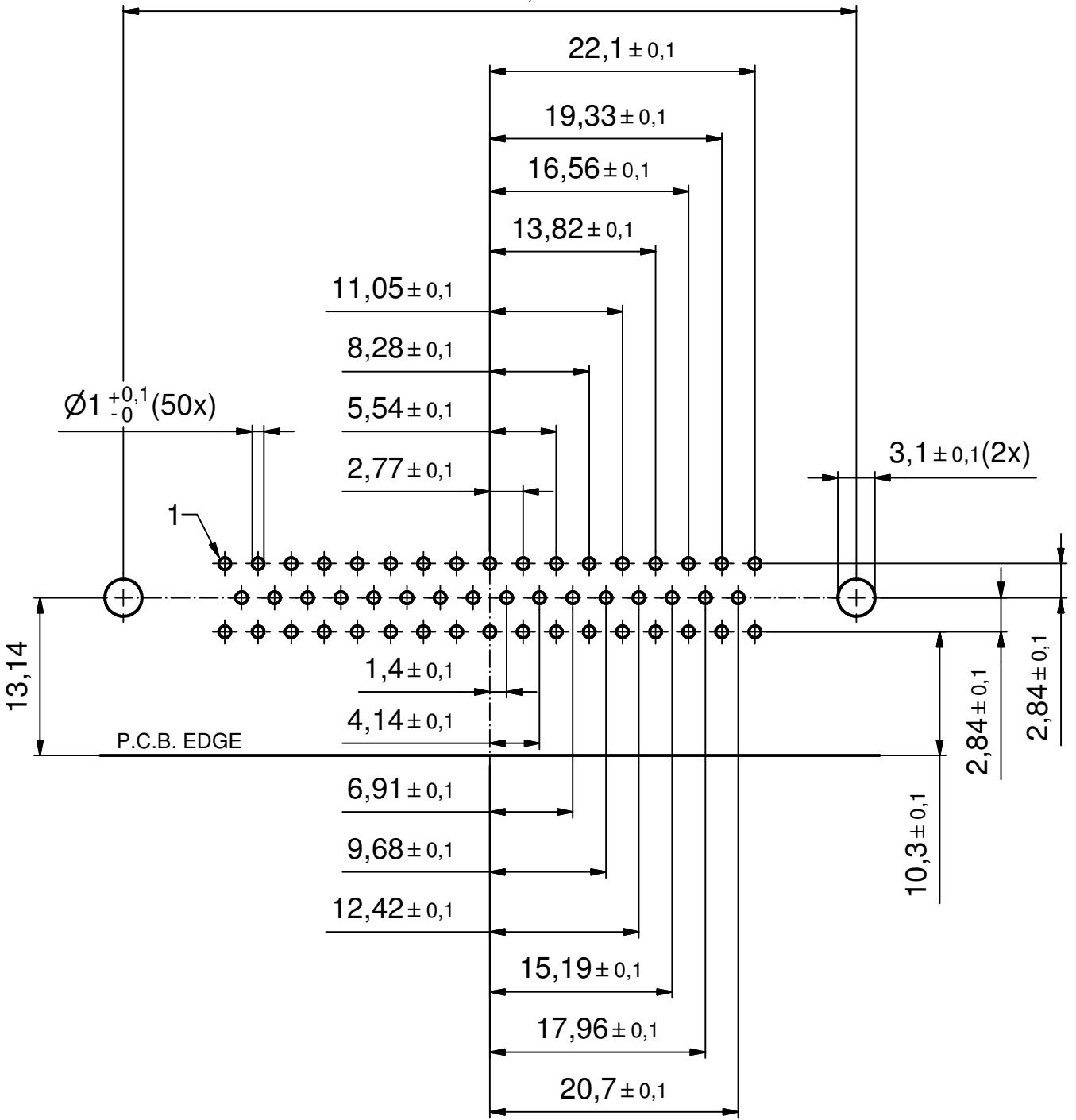
Directive 2002/95/EC RoHS compliant

THIS DRAWING MAY NOT BE COPIED OR REPRODUCED IN ANY WAY, AND MAY NOT BE PASSED ON TO A THIRD PARTY WITHOUT WRITTEN PERMISSION. OWNERSHIP AND COPYRIGHT OF CONEC GmbH

DO NOT ALTER CAD DRAWING BY HAND

tolerance			scale: 2:1 (5:1)		
dim. in mm			material: SEE NOTES		
date	name		title: D-SUB MALE 90° 50pos. 0,370inch with threaded insert, metal bracket and clip		
drawn	17.10.11	Henneboel			
appd.	17.10.11	Koch			
norm					dwg no:
d-old			16K2A2289	DIN-A3	
a	Original			sh: 1	
rev.	description	date	name	part no: 163A18339X	

61,11 ^{+0,13}/_{-0,12}



THIS DRAWING MAY NOT BE COPIED OR REPRODUCED IN ANY WAY, AND MAY NOT BE PASSED ON TO A THIRD PARTY WITHOUT WRITTEN PERMISSION. OWNERSHIP AND COPYRIGHT OF CONEC GmbH

DO NOT ALTER CAD DRAWING BY HAND

rev.	description	date	name
a	Original		

tolerance		dim. in mm	
drawn	17.10.11	name	Henneboel
appd.	17.10.11	name	Koch
norm			
d-old			



scale:	2:1	
material:	SEE SHEET 1	
title:	P.C.B. HOLE DRILLINGS D-SUB MALE 50pos. SOLDER PIN ANGLED with threaded insert metal bracket and clip	
dwg no:	16K2A2289	DIN-A4
part no:	SEE SHEET 1	sh: 2